

SB-308A Flip Machine



PCB
Automation
Developed
by Symtek

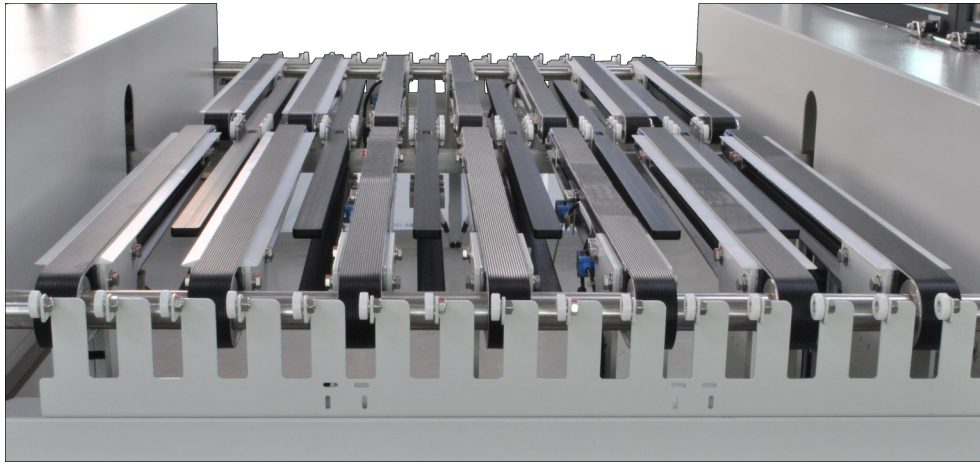
SUITABLE FOR

Rotating rigid panels between
processes.

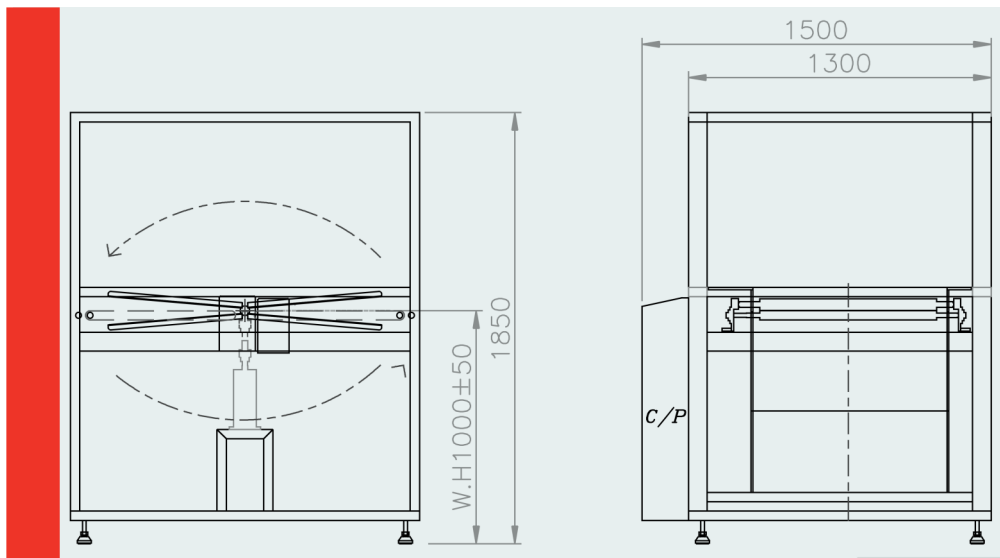
DESCRIPTION

- 1 Completes the panel flip in a minimal space.
- 2 The special sensors and positioning equipment avoid jams in order to prevent damage to the panels.
- 3 The conveyor belts do not scratch the panel surface, they can stand temperatures up to 80°C and continuous operation.
- 4 The operator can select either pass-through or flipping operation.
- 5 The operating speed can be adjusted.

SAA
Symtek Automation Asia



Machine detail



TYPE	
DIMENSIONS (LxWXH)	1300 x 1400 x 1850 mm
WORKING HEIGHT	1000 ± 50 mm
MAX. PANEL SIZE	24 x 24 in.
MIN. PANEL SIZE	12 x 12 in.
PANEL THICKNESS	0.1 ~ 3.2 mm
THROUGHPUT	6 pcs/min
POWER	1 Ph 220V 60Hz 2KW Other power configurations available on demand.